



# NAVIGATOR

Touch Screen Keypad

## USER'S MANUAL



D8x/D16x Navigator Alarm Control Panels V7  
Operation and User Programming Manual

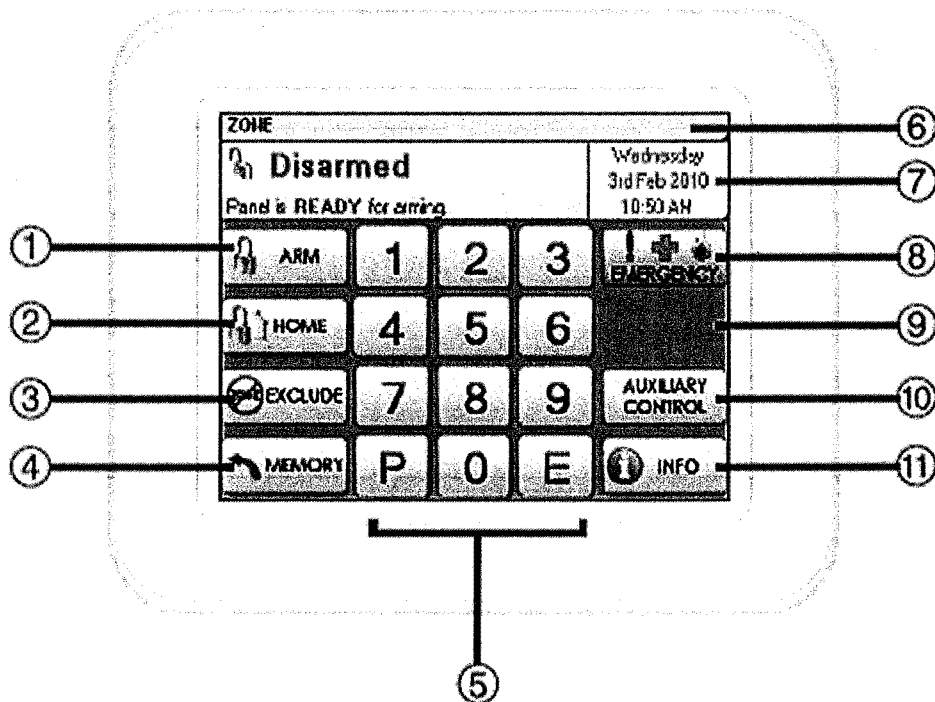


# Overview

---

## The Disarmed Screen

In the normal disarmed mode, the Navigator screen displays information about the state of your system and gives you instant access to commonly used functions,



- ① Touch to arm the system.
- ② Touch to arm Home Mode,
- ③ Touch to Exclude zones.
- ④ Touch to view the event memory,
- ⑤ Numeric keypad,
- ⑥ Touch to view the full zone list,
- ⑦ Touch here to view the calendar,  
This area also displays System Alarms.
- ⑧ Touch to activate the Emergency Alarms,
- ⑨ This area displays current Emergency Alarms,
- ⑩ Touch to control the Auxilliary Outputs
- ⑪ Touch to display the Information screens.

# To Arm

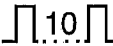
The control panel must be armed in order to detect intruders.

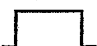
Before arming, make sure all zones are "sealed" by ensuring there is no movement in rooms covered by motion detectors and that doors or windows protected by reed switches are closed. The display will tell you when the system is ready for arming.

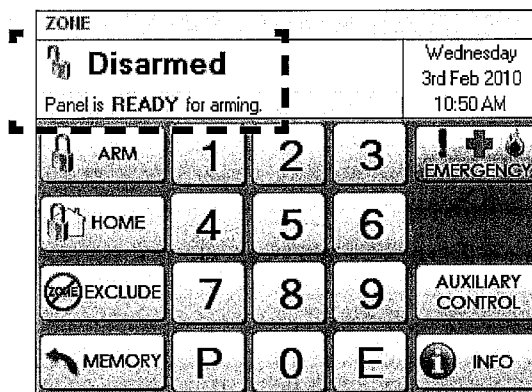
## SIREN WARNING

At the end of the exit time, all zones should be sealed. If any are unsealed, the siren will sound for 2 seconds to indicate that those zones have been automatically excluded. You should disarm the panel, check the premises and then arm again. Continual warnings could mean there is a problem with a detection device - you will have to manually exclude the zone before attempting to arm the system.



If a zone is unsealed at the end of exit time and the auto-exclude option is disabled, the siren will sound for the duration of siren time, (the default is 5 minutes).




♪  10 beeps on arming means mains power may be turned off or the backup battery is low.

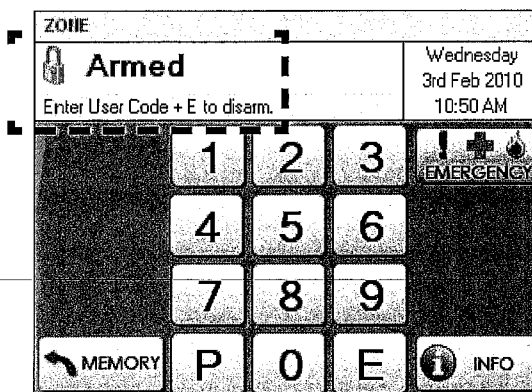
♪  One long beep when you arm could mean the panel is already armed or the keypad code is wrong, (if not using Shortcut Arming).



**To arm the system.**

Touch  + 

or touch  +  + 



# To Disarm

When you enter the protected premises through a delay zone, the keypad responds with regular beeps<sup>1</sup> as a reminder to disarm.

If the panel is not disarmed by the end of the entry delay time, an alarm will occur.

Using the optional radio keys, you may disarm your system from inside your premises or from just outside.<sup>2</sup>

If you make a mistake when entering your user code, press "E" and start again. Five incorrect entries will cause an alarm.

The panel can be reset and the siren/s silenced by disarming the panel.

If you arrive at your premises and find the strobe light flashing<sup>3</sup> reset the panel as above. To check the cause of the alarm, you can view the alarms in memory by entering Memory Mode.

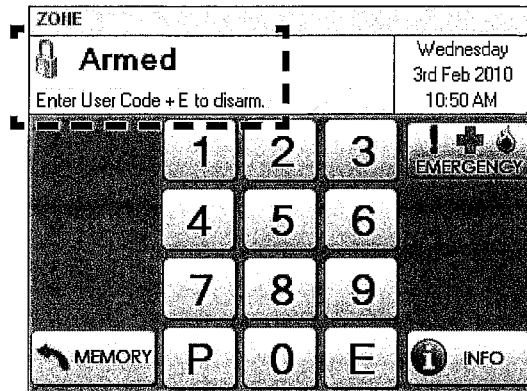
## ARM ONLY CODES

User codes can optionally be programmed to be Arm Only codes. An Arm-Only code can arm the system but it cannot disarm. However if an Arm Only code is assigned to a radio key, the radio key OFF button will arm and disarm.

<sup>1</sup> If Entry Beeps are enabled.

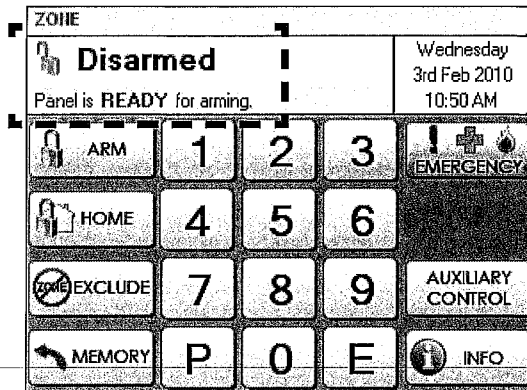
<sup>2</sup> The strobe light will flash to indicate arming and disarming by radio key. Your installer can also enable siren 'Chirps' for an audible indication of radio key operation.

<sup>3</sup> In the event of an alarm, the strobe light will flash for 72 hours or until the panel is reset.



To disarm the system.

Touch  +



## AUTO RE-ARM

Your panel may be programmed for Auto Re-Arm to help prevent accidental disarming.

Auto Re-Arm checks that you have entered the premises after disarming. If all zones remain sealed for a period as set by the entry delay time then the panel will re-arm. This is most useful when used with radio keys where the OFF button might be accidentally pressed after you have armed and are leaving the premises.

# To Arm Home Mode

---

Home mode allows you to arm selected zones while others are ignored. Typically, perimeter zones (doors and windows) can be monitored while you are at home.

Your installer must program which zones will be active in Home mode.

If an alarm occurs while in Home mode, entering a valid user code + E will silence the alarm. This will also disarm the panel, so remember to re-arm Home mode again if needed.

Using the optional Radio Keys you can arm Home Mode by pressing either the OFF button or the ON button twice within 4 seconds or by pressing the AUX button, (RK4 radio key only). These options must be enabled by your installer.

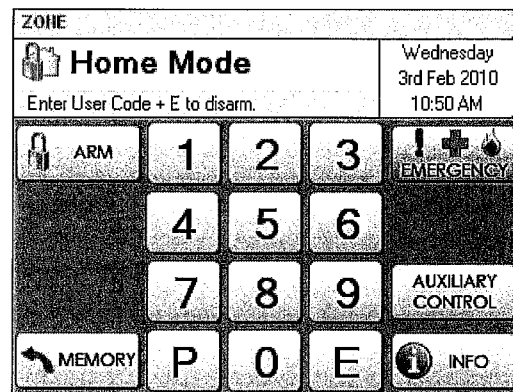
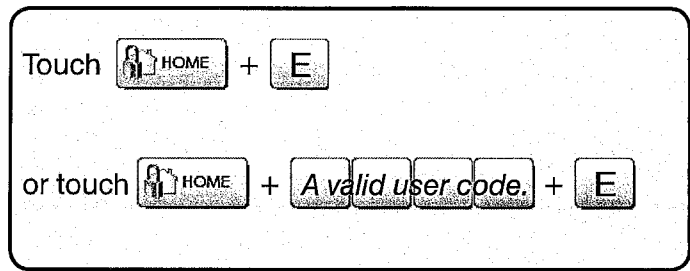
Note: Home Mode and Area arming

Home Mode can be used if the panel is fully disarmed or if only Area2 is armed. Home Mode is not available when Area 1 is armed.

The panel can be armed in Home mode if Area2 is already armed on these conditions:

- Area 1 must be OFF.
- Area 2 must be armed first, and then Home Mode armed – not the reverse.
- Zones assigned to both Home mode and to Area 2 will act as Home Mode zones when both Area 2 and Home Mode are armed.

Note: Home Mode arming when Area2 is armed cannot be done by Radio Key or by keyswitch.



## NOTE

In normal disarmed mode, the Home Mode button is visible only if your installer has enabled Home Mode.